



PLEASE READ: This Light Kit installation should be completed in conjunction with the standard Tubular Skylight installation instructions. The Light Kit can be used with all Natural Light Tubular Skylights models. It has been designed with UL listed parts and is UL recognized with some conditions for acceptability.

IMPORTANT NOTE: If the Electric Light Kit will be installed along with a Dimmer Kit, the dimmer section must be placed ABOVE the light kit section. Steps are the same for both the Single and Dual Socket Light Kits.

STEP 1

Using a sharp 1/2" drill bit, drill a 1/2" hole **16"** up from the bottom of the light pipe.

WARNING: Do not change the location of the hole for mounting the light kit. Doing so will void the warranty and impairs safe operating temperature and electrical performance.

STEP 2

The main lamp bracket is already assembled from the factory. You will need to remove the conduit connector, the nut and washer from the threaded bracket rod. Next, thread the bracket through the 1/2" hole that you just drilled in the light pipe, starting from the inside of the light pipe, and align the light kit as pictured. Secure the light kit bracket to the light pipe using the aluminum "I" shaped bracket and tighten (snug). The "I" shaped bracket rests on the **INSIDE** of the light pipe and the washer and tightening nut are on the **OUTSIDE** of the light pipe.

STEP 3

Push the exposed wires through the hole that the conduit will be attached to. Adjust the threaded rod conduit into the 4" x 4" electrical box and tighten the conduit connector.

STEP 4

Bring in the switched 120 VAC supply wiring into the 4" x 4" electrical box and secure as pictured. It is important that all wiring complies with local codes and be properly grounded. It's recommended that all AC feed wiring should be through a GFCI branch circuit. Connect all wires.

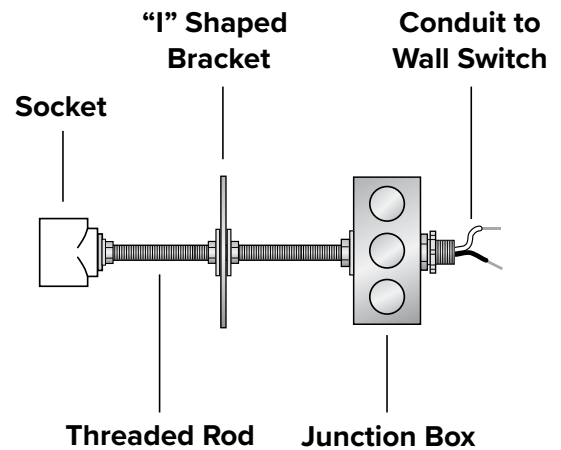
STEP 5

Install cover onto 4" x 4" electrical box and secure to a suitable location.

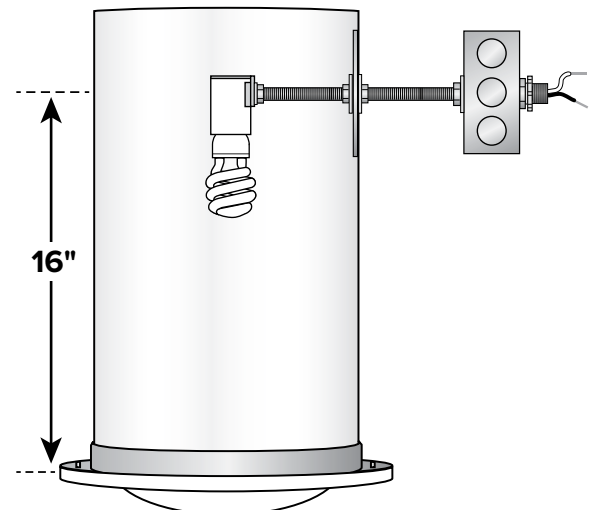
STEP 6

Screw in one or two light bulbs depending on kit (not included). You may use incandescent (60 watt maximum), CFL, or LED bulbs with these kits. CFL or LED bulbs are recommended for greater efficiency.

Continue with the Natural Light Tubular Skylight installation instructions to complete the installation.



FOR MAXIMUM ENERGY EFFICIENCY, USE CFL OR LED BULBS





Electric Light Kit 5-Year Product Warranty

Natural Light Energy Systems (hereinafter NLES) warrants any tubular skylight Electric Light Kit manufactured by NLES to be free from defects in materials and workmanship to the original residential purchaser (hereinafter CONSUMER) from the date of purchase. All aspects of the Warranty are subject to the following limitations, terms and conditions.

1. DURATION OF WARRANTY

If a NLES Electric Light Kit (hereinafter "Equipment") is determined to have a defect in material or workmanship, NLES will, at its sole discretion, repair or replace the defective part at NO CHARGE to the CONSUMER, (excluding labor, and applicable shipping and handling costs) for the duration of 5 years from the date of purchase.

2. LIMITATIONS OF COVERAGE

This Warranty extends only to the CONSUMER for damage resulting from defects in materials and workmanship, it does not extend to damage caused by the CONSUMER'S neglect or abuse, or by accident, to damage caused by wind, hail or abnormal weather conditions, or to damage caused by acts of God, civil insurrection or extraordinary circumstances which are beyond the control of NLES.

NLES shall not be liable for any direct or indirect damage resulting from the use of the Equipment, and in no event shall the extent of the Warranty coverage exceed the purchase price of the Equipment.

NLES assumes no liability for the determination of the proper equipment necessary to meet a CONSUMER'S requirements, nor does it authorize others to assume such obligations on its behalf.

MISCELLANEOUS

In order to be considered for validation, all claims for Warranty coverage must be accompanied by a copy of the purchase agreement indicating the date of initial installation, NLES reserves the right to inspect the tubular skylight Electric Light Kit prior to honoring any Warranty claim.

This Warranty gives you specific legal rights, and you may have other rights which may vary from state to state. Any and all inquiries or claims under this Warranty must be submitted in writing to **Natural Light Energy Systems, Attn: Warranty Department, 10821 N. 23rd Avenue, Phoenix, AZ 85029** or by e-mail to info@nltubular.com.



To register your Tubular Skylight, please visit
www.nltubular.com/customer-service/warranty-registration/



REGISTER NOW